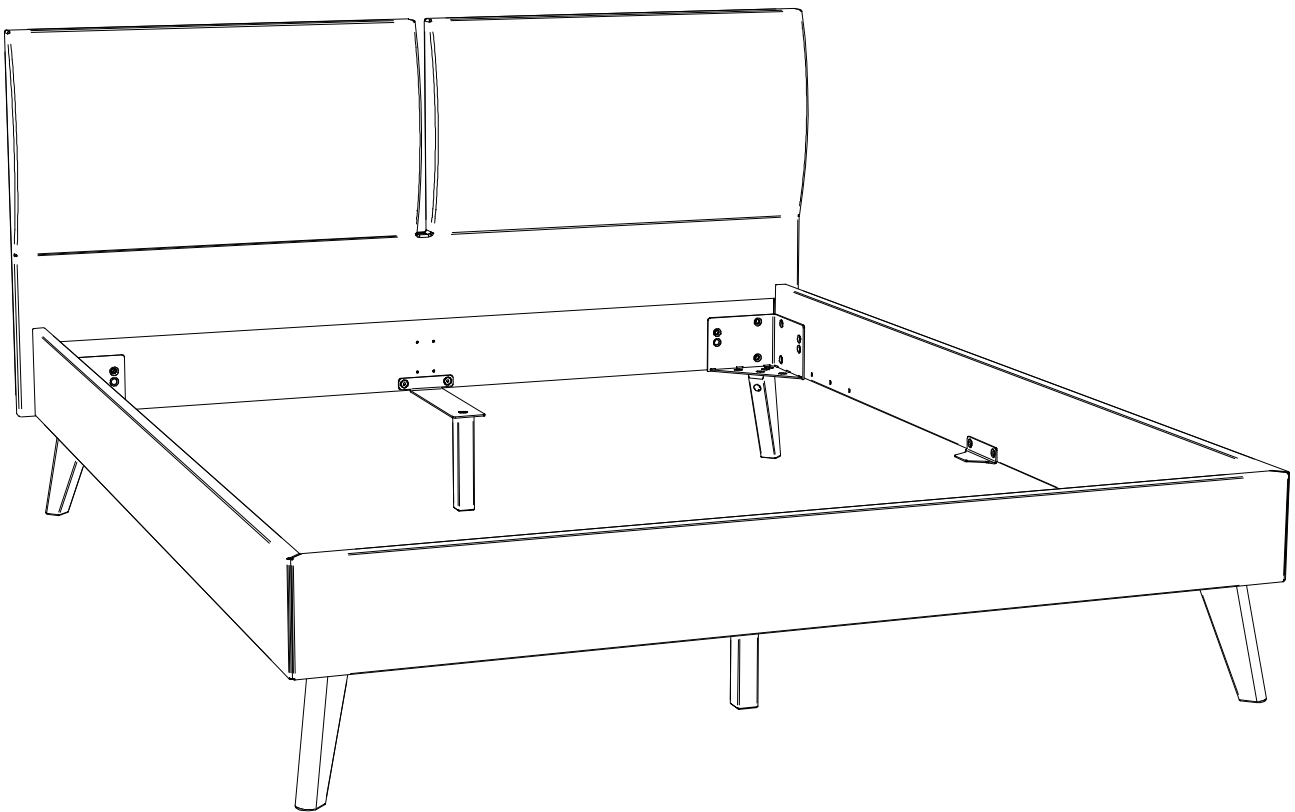
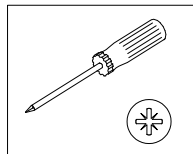
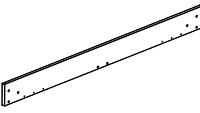
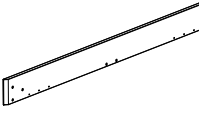
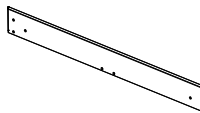
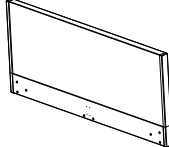
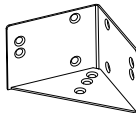
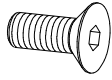
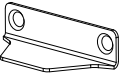
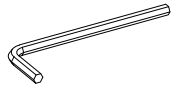


# Matteo

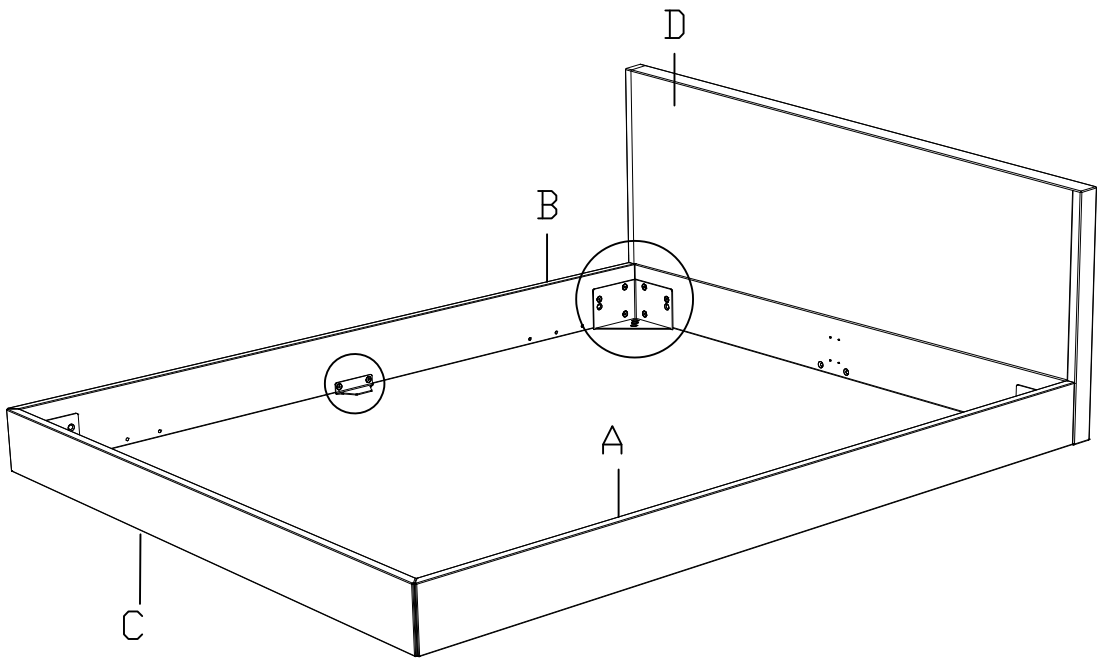
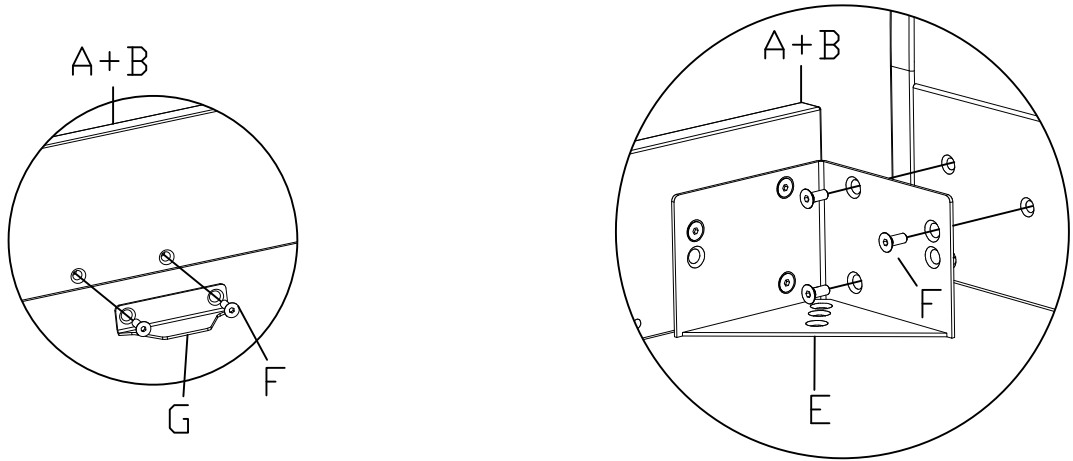


Benötigte Werkzeuge – Outils Nécessaires – Tools Required – Attrezzi Necessari

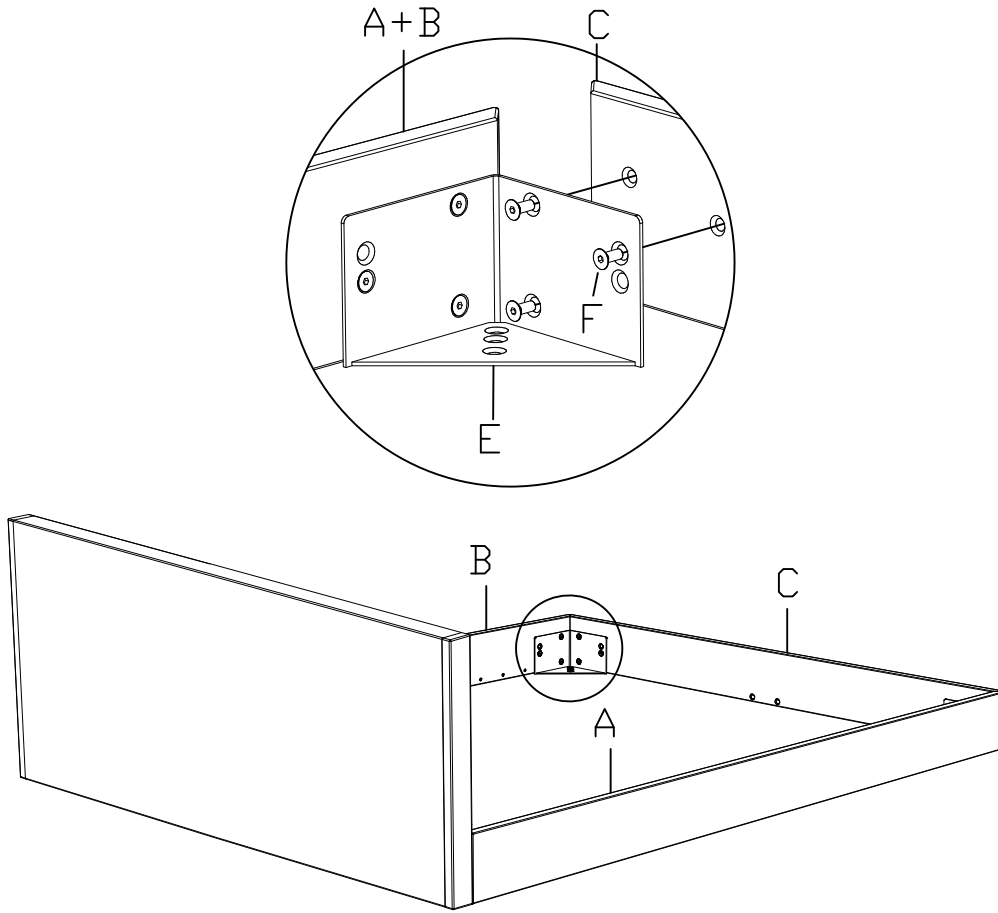


<p>A x1</p>  <p>749.713</p>	<p>B x1</p>  <p>749.712</p>	<p>C x1</p>  <p>749.366-.368</p>	<p>D x1</p> 	<p>E x4</p>  <p>630.101</p>	<p>F x28</p>  <p>631.872</p>
<p>G x2</p>  <p>630.099</p>					<p>Z x1</p>  <p>631.10000</p>

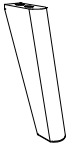
1.



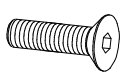
2.



H x4



I x4  
M8x40



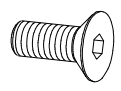
631.877

K x4



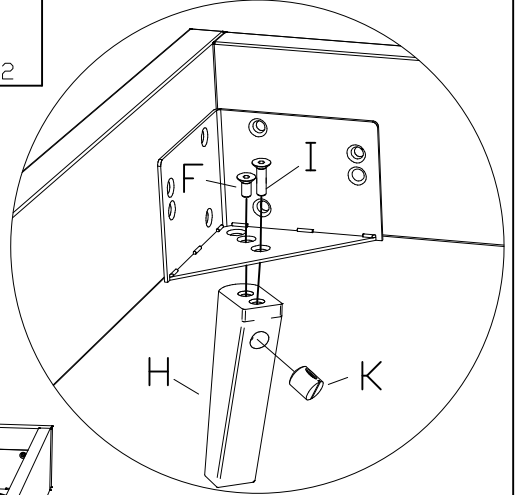
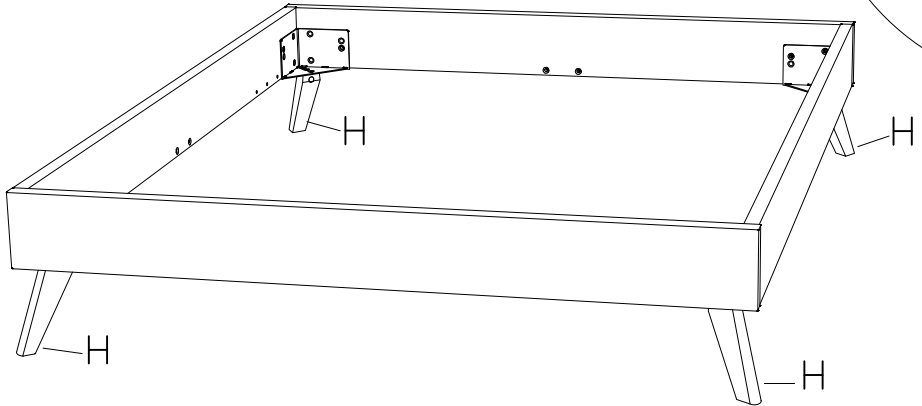
631.611

F x4  
M8x20



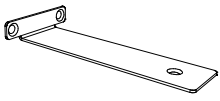
631.872

3.



zusätzlich bei Breiten ab 160cm  
 additional for widths from 160cm  
 à partir des dimensions 160cm  
 a partire della misura 160cm

L x2

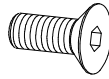


790.023

M x2

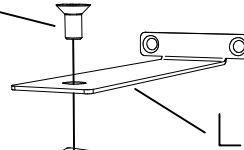


F x6



631.872

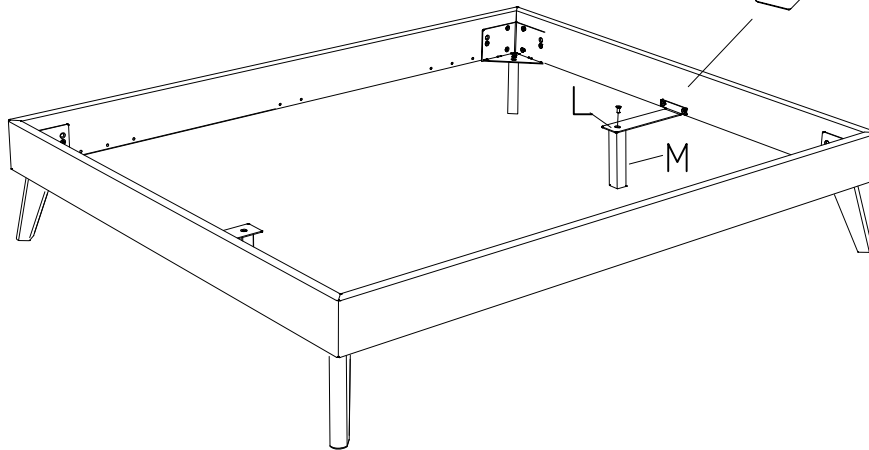
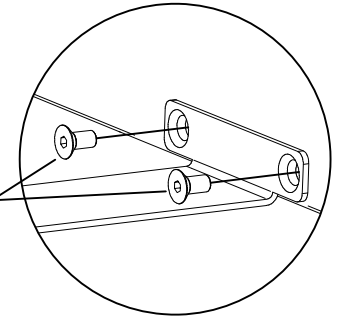
F



M

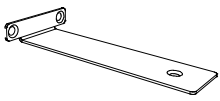


F



zusätzlich bei Fusshöhe 25cm  
 additional for feed height 25cm  
 en plus pour les hauteur de pieds 25cm  
 supporti addizionali per piedi di 25cm

L x2

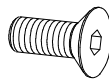


790.023

M x2

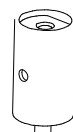


F x6



631.872

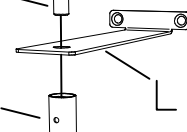
N x2



793.290

F

N



M

